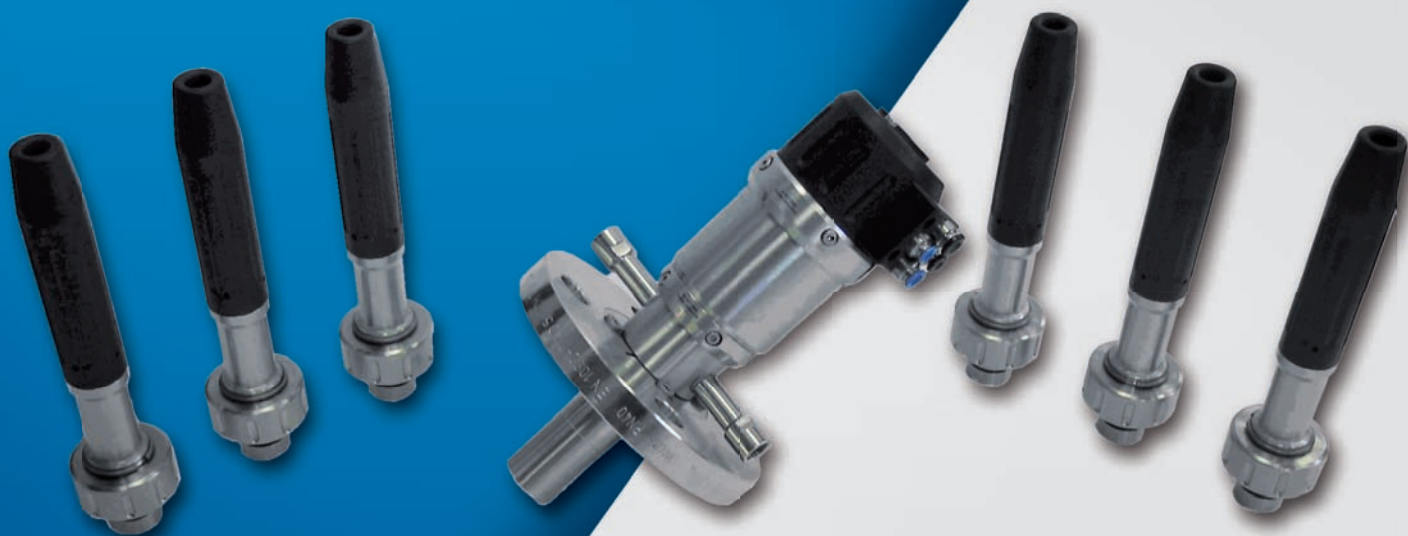


SCHOTT® Instruments
Holder
Accessories &

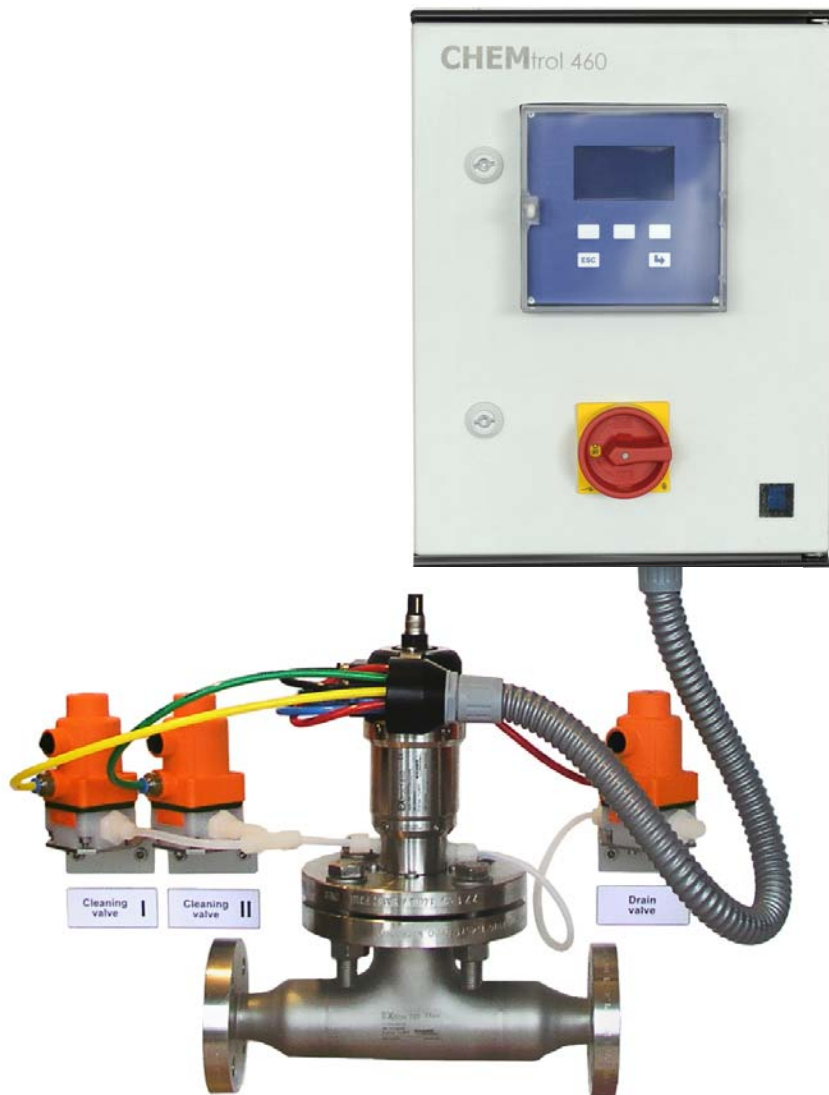


**Professional process equipment
for industrial applications**

www.si-analytics.com

SI Analytics
A Nova Analytics company

Process equipment from experts – Made in Germany



SCHOTT® Instruments Armatures and Accessories **System solutions for all applications**

The development and production of these high-quality armatures and its control systems is based on our experience originating from more than 70 years within the area of liquid analysis. Thanks to the constant active contact to our customers we are aware that basically every application has its own requirements. The reliable measuring of pH, redox, conductivity and D.O. values up to temperature within the process requires individual solutions. This affects all industrial branches, whether within the water treatment, food industry, biotechnology or chemical and pharmaceutical productions.

Therefore this product range offers an extensive variety and an especially diverse ability for combining different elements. These system solutions allow the ideal positioning of sensors in the measuring solution among different application conditions. They therefore increase reliability of measurements and the life span of sensors significantly.

Table of content

Static sensor holders	4
CHEMfit 310	4
CHEMfit 311	6
CHEMfit 312	8
CHEMfit 315	10
Dip holders - <i>static</i>.....	12
CHEMdip 910 – DN50/ANSI 2” stainless steel	12
CHEMdip 920 – DN50/ANSI 2” plastics	14
CHEMdip 915 – DNXX/ANSI X” stainless steel	16
CHEMdip 925 – DNXX/ANSI X” plastics	18
Dip holders - <i>retractable</i>.....	20
CHEMdip 918 – DN100/ANSI 4” stainless steel	20
CHEMdip 928 – DN100/ANSI 4” PVDF	22
Retractable holders	24
CHEMtrac 810	24
CHEMtrac 811	26
CHEMtrac 820	28
CHEMtrac 821	30
CHEMtrac 830 – hygienic installation	32
Retractable holders - <i>manual</i>.....	34
CHEMtrac 810 M – stainless steel	34
CHEMtrac 811 M – stainless steel, extended immersion	36
CHEMtrac 820 M – plastics	38
CHEMtrac 821 M – plastics, extended immersion	40
CHEMtrac 830 M – hygienic installation	42
Manual control units.....	44
CHEMtrol 450	44
Automatic control units.....	46
CHEMtrol 460	46
Flow vessels.....	48
CHEMflow 710	48
CHEMflow 720	50

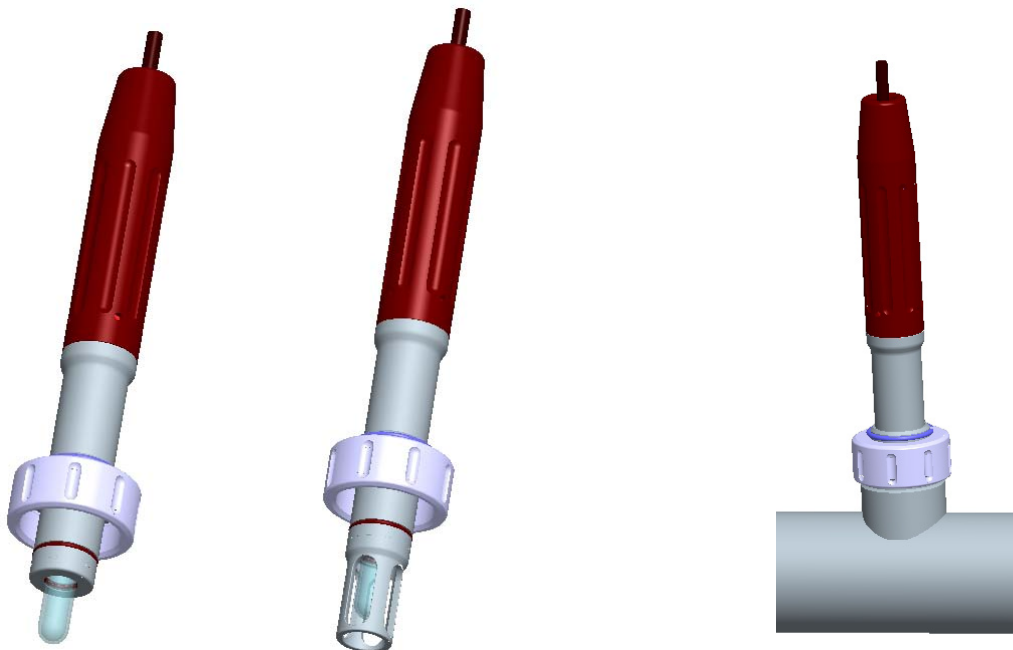
Static sensor holders

CHEMfit 310

Static sensor holder for permanent installation of Ø12 mm/120 mm-sensors on **welding sockets DN25** in tanks or pipes.

- Application:**
- ▲ For all kind of Ø12/120 mm sensors with thread PG13.5 (e.g. pH- and REDOX, conductivity and temperature and turbidity sensors)
 - ▲ Food production
 - ▲ Chemical and pharmaceutical production
 - ▲ Water treatment

- Benefits:**
- ▲ Designed according to hygienic criteria
 - ▲ Surface finish $Ra < 0.8$ or $Ra < 0.4$
 - ▲ Stainless steel AISI 316L / 1.4404
 - ▲ EPDM sealing with FDA and USP VI approval
 - ▲ Optional sensor protection cage
 - ▲ Up to 10 bar and 140°C
 - ▲ Protection cap for cable connection



SCHOTT® Instruments CHEMfit 310 G1 1/4" (DN25) Connectors

pH Sensor Holder CHEMfit 310	
Code	Material (wetted parts)
448	Stainless Steel 1.4404 / 316L Ra0.8
444	Stainless Steel 1.4404 / 316L Ra0.4
XXX	special
↓	
Code	Sealing Material (wetted sealings)
E	EPDM/FDA/USP VI
V	FPM (Viton)
X	special
↓	
Code	Sensor Type
120	120 mm PG 13.5 Ø 12 mm
XXX	special
↓	
Code	Process Connection
IN25	G1 1/4" (DN25) O-ring-position 25 mm
XXXX	special
↓	
Code	Immersion length
070	70 mm under process connection
XXX	special
↓	
Code	Protection cage
0	without
1	with protection cage
X	special
↓	
310	- - - - - <Type No.

Accessories and Spareparts

Ordering No.	Type No.	Description
285063640	MZ SSC 310 E	Sealing EPDM / FDA USP IV
285063650	MZ SSC 310 V	Sealing FPM (Viton)
285063720	MZ WIS 40 ST 44	Safety weld-in socket straight 40mm 1.4435/316L
285063730	MZ WIS 40 IC 44	Safety weld-in socket inclined 40mm 1.4435/316L
285063750	MZ PC 3XX	Protection cap CHEMfit

Certificates

Ordering No.	Type No.	Description
285063620	MZ CERT 3XX 2.2	Certificate EN10204-2.2 for surface-finishing (wetted parts)
285063630	MZ CERT 3XX 3.1B	Certificate EN10204-3.1B for material (wetted parts)

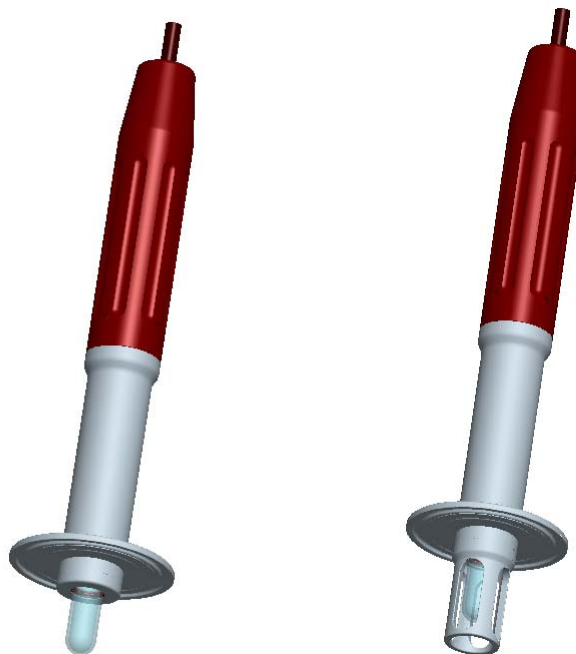
Static sensor holders

CHEMfit 311

Static sensor holder with **TriClamp connection** for permanent installation of Ø12 mm/120 mm-sensors in tanks or pipes.

- Application:**
- ▲ For all kind of Ø12 / 120 mm sensors with thread PG 13.5 (e.g. pH- and REDOX, conductivity and temperature and turbidity sensors)
 - ▲ Food production
 - ▲ Chemical and pharmaceutical production

- Benefits:**
- ▲ Designed according to hygienic criteria
 - ▲ Surface finish Ra<0.8 or Ra<0.4
 - ▲ Stainless steel AISI 316L / 1.4404
 - ▲ EPDM sealing with FDA and USP VI approval
 - ▲ Optional sensor protection cage
 - ▲ Up to 10 bar and 140°C
 - ▲ Protection cap for cable connection



SCHOTT® Instruments CHEMfit 311 TriClamp Connectors

pH Sensor Holder CHEMfit 311	
Code	Material (wetted parts)
448	Stainless Steel 1.4404 / 316L Ra0.8
444	Stainless Steel 1.4404 / 316L Ra0.4
XXX	special
Code	Sealing Material (wetted sealings)
E	EPDM/FDA/USP VI
V	FPM (Viton)
X	special
Code	Sensor Type
120	120 mm PG 13.5 Ø 12 mm
XXX	special
Code	Process Connection
TC15	G1 1/4" (DN25) O-ring-position 25 mm
TC20	TriClamp 2.0 (OD Ø 64 mm)
XXXX	special
Code	70 mm under process connection
045	45 mm under process connection
080	80 mm under process connection
XXX	special
Code	Protection cage
0	without
1	with protection cage
X	special
311-	- - - - - < Type No.

Accessories and Spareparts

Ordering No.	Type No.	Description
285063750	MZ PC 3XX	Protection cap CHEMfit
285063770	MZ SSC 31X V	Sealing FPM (Viton)

Certificates

Ordering No.	Type No.	Description
285063620	MZ CERT 3XX 2.2	Certificate EN10204-2.2 for surface-finishing (wetted parts)
285063630	MZ CERT 3XX 3.1B	Certificate EN10204-3.1B for material (wetted parts)

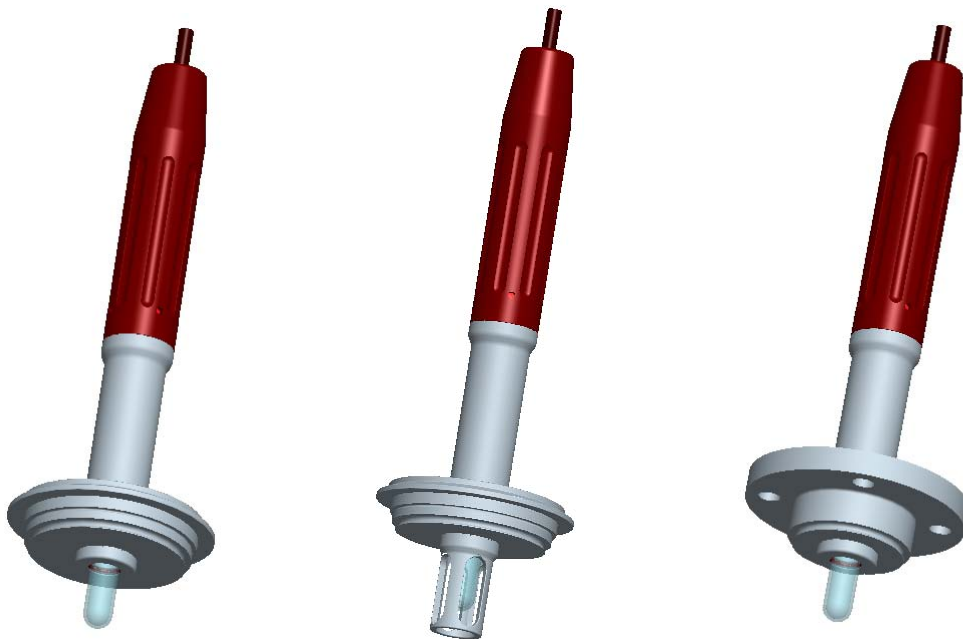
Static sensor holders

CHEMfit 312

Static sensor holder with **hygienic process connections** for permanent installation of Ø12 mm/120 mm sensors in tanks or pipes.

- Application:**
- ▲ For all kind of Ø12/120 mm sensors with thread PG13.5 (e.g. pH- and REDOX, conductivity and temperature and turbidity sensors)
 - ▲ Food production
 - ▲ Pharmaceutical production

- Benefits:**
- ▲ Designed according to hygienic criteria
 - ▲ Surface finish Ra<0.8 or Ra<0.4
 - ▲ Stainless steel AISI 316L / 1.4404
 - ▲ EPDM sealing with FDA and USP VI approval
 - ▲ Optional sensor protection cage
 - ▲ Up to 10 bar and 140°C
 - ▲ Protection cap for cable connection



SCHOTT® Instruments CHEMfit 312

Hygienic Connectors

pH Sensor Holder CHEMfit 312	
Code	Material (wetted parts)
448	Stainless Steel 1.4404 / 316L Ra0.8
444	Stainless Steel 1.4404 / 316L Ra0.4
XXX	special
Code	Sealing Material (wetted sealings)
E	EPDM/FDA/USP VI
V	FPM (Viton)
X	special
Code	Sensor Type
120	120 mm PG 13.5 Ø 12 mm
XXX	special
Code	Process Connection
VARN	G1 1/4" (DN25) O-ring-position 25 mm
BCT5	NEUMO BioControl D50
XXXX	special
Code	70 mm under process connection
040	40 mm under process connection
XXX	special
Code	Protection cage
0	without
1	with protection cage
X	special
312-	< Type No.

Accessories and Spareparts

Ordering No.	Type No.	Description
285063750	MZ PC 3XX	Protection cap CHEMfit
285063760	MZ SSC 31X E	Sealing EPDM / FDA USP IV
285063770	MZ SSC 31X V	Sealing FPM (Viton)

Certificates

Ordering No.	Type No.	Description
285063620	MZ CERT 3XX 2.2	Certificate EN10204-2.2 for surface-finishing (wetted parts)
285063630	MZ CERT 3XX 3.1B	Certificate EN10204-3.1B for material (wetted parts)

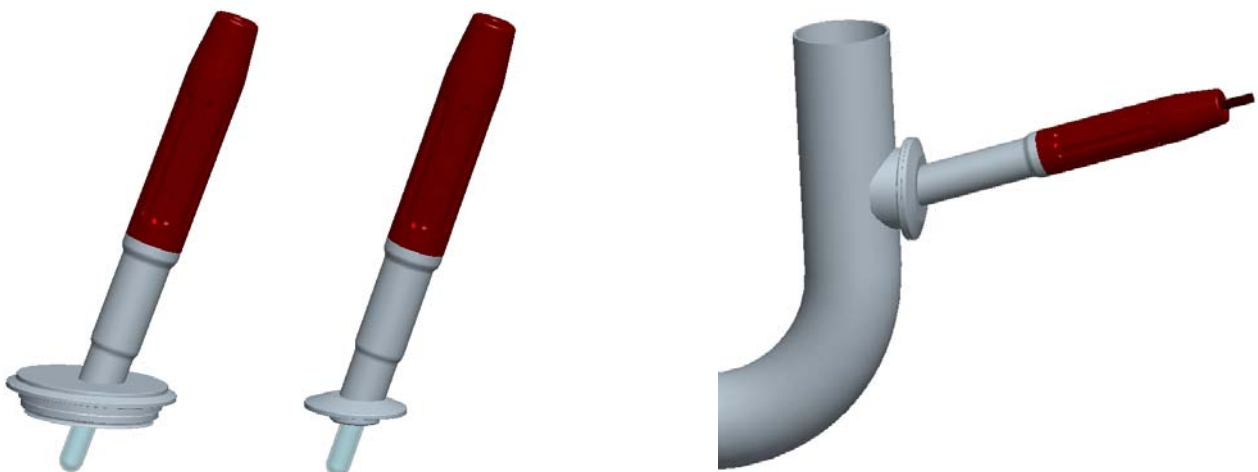
Static sensor holders

CHEMfit 315

Static sensor holder with **15°-angled process connections** for permanent installation of Ø12 mm/120 mm-sensors in tanks or pipes mainly in **hygienic applications**.

- Application:**
- ▲ For all kind of Ø12/120 mm sensors with thread PG13.5 (e.g. pH- and REDOX, conductivity and temperature and turbidity sensors)
 - ▲ Food production
 - ▲ Chemical and pharmaceutical production
 - ▲ Especially for the use in vertical pipe connections

- Benefits:**
- ▲ Designed according to hygienic criteria
 - ▲ Surface finish Ra<0.8 or Ra<0.4
 - ▲ Stainless steel AISI 316L / 1.4404
 - ▲ EPDM sealing with FDA and USP VI approval
 - ▲ Up to 10 bar and 140°C
 - ▲ Protection cap for cable connection



SCHOTT® Instruments CHEMfit 315 angled 15°

pH Sensor Holder CHEMfit 315 angled 15°	
Code	Material (wetted parts)
448	Stainless Steel 1.4404 / 316L Ra0.8
444	Stainless Steel 1.4404 / 316L Ra0.4
XXX	special
Code	Sealing Material (wetted sealings)
E	EPDM/FDA/USP VI
V	FPM (Viton)
X	special
Code	Sensor Type
120	120 mm PG 13.5 Ø 12 mm
XXX	special
Code	Process Connection
VARN	G1 1/4" (DN25) O-ring-position 25 mm
TC15	TriClamp 1-1,5" (OD Ø 50.5 mm)
TC20	TriClamp 2" (OD Ø 64 mm)
BCT5	NEUMO BioControl 50
XXXX	special
Code	Immersion length
034	34 mm under process connection
XXX	special
Code	Protection cage
0	without
X	special
315-	< Type No.

Accessories and Spareparts

Ordering No.	Type No.	Description
285063750	MZ PC 3XX	Protection cap CHEMfit
285063760	MZ SSC 31X E	Sealing EPDM / FDA USP IV
285063770	MZ SSC 31X V	Sealing FPM (Viton)

Certificates

Ordering No.	Type No.	Description
285063620	MZ CERT 3XX 2.2	Certificate EN10204-2.2 for surface-finishing (wetted parts)
285063630	MZ CERT 3XX 3.1B	Certificate EN10204-3.1B for material (wetted parts)

Dip holders - *static*

CHEMdip 910 – DN50/ANSI 2" stainless steel

Immersion holder made of stainless steel with **flange** connection and integrated orbital sensor cleaning system for **nominal diameter DN50 / 2"**.

- Application:**
- ▲ For all kind of Ø12/120 mm sensors with thread PG13.5 (e.g. pH- and REDOX, conductivity and temperature and turbidity sensors)
 - ▲ Chemical production
 - ▲ Water and wastewater treatment
 - ▲ Permanent installation in tanks, vessels or open channels

- Benefits:**
- ▲ Robust design
 - ▲ Integrated orbital sensor cleaning system
 - ▲ Extension of sensor-lifetime and reducing of maintenance costs
 - ▲ Easy installation and removal of the sensor holder
 - ▲ Stainless steel AISI 316L / 1.4404 or hastelloy
 - ▲ Immersion length 500 – 2500 mm
 - ▲ Minimum size DN50/2"
 - ▲ Up to 10 bar and 140°C
 - ▲ No external cleaning device necessary



Schott® Instruments CHEMdip 910

pH-Immersion Assembly for DN50/2"	
Code	Material (wetted parts)
44	Stainless Steel 1.4404 / 316L
XX	special
↓	
Code	Sealing Material (wetted sealings)
E	EPDM
V	FPM (Viton)
X	special
↓	
Code	Sensor Type
120	120 mm PG 13.5 gel-filled
XXX	special
↓	
Code	Process Connection
D50	Flange DN50 PN16
A20	Flange ANSI 2" 150 lbs
XXX	special
↓	
Code	Immersion length
05	0.5 meter
10	1 meter
15	1.5 meter
20	2 meters
25	2.5 meters
XXX	special
↓	
Code	Cleaning
NC	without
SC	with integrated spray cleaning
↓	
910	- - - - - < Type No.

Accessories and Spareparts

Ordering No.	Type No.	Description
285077560	MZ SSC 910 E	Sealing Set CHEMdip 910 EPDM
285077600	MZ SSC 910 V	Sealing Set CHEMdip 910 FPM (Viton)

Certificates

Ordering No.	Type No.	Description
285063630	MZ CERT 3XX 3.1B	Certificate EN10204-3.1B for material (wetted parts)

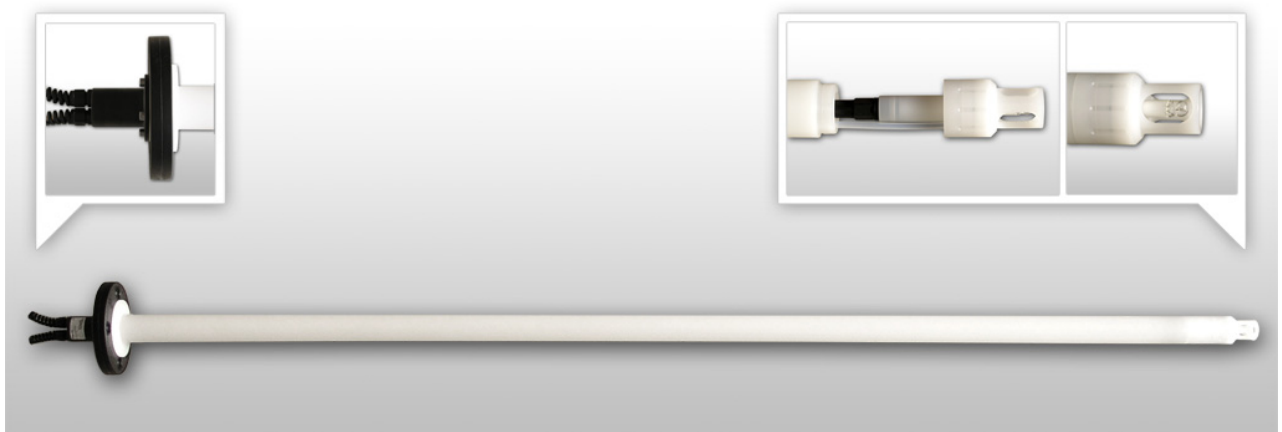
Dip holders - *static*

CHEMdip 920 – DN50/ANSI 2" plastics

Immersion holder made of plastics with **flange connection** or suspension and integrated orbital sensor cleaning system for nominal diameter **DN50/2"**.

- Application:**
- ▲ For all kind of Ø12/120 mm sensors with thread PG13.5 (e.g. pH- and REDOX, conductivity and temperature and turbidity sensors)
 - ▲ Chemical production
 - ▲ Water and wastewater treatment
 - ▲ Permanent installation in tanks, vessels or open channels

- Benefits:**
- ▲ Robust design
 - ▲ Integrated orbital sensor cleaning system
 - ▲ Extension of sensor-lifetime and reducing of maintenance costs
 - ▲ Easy installation and removal of the sensor holder
 - ▲ PP or PVDF
 - ▲ Immersion length 500 – 2500 mm
 - ▲ Minimum size DN50/2"
 - ▲ Up to 6 bar and 80°C
 - ▲ No external cleaning device necessary



Schott® Instruments CHEMdip 920

pH-Immersion Assembly for DN50/2"	
Code	Material (wetted parts)
PP	PP
PV	PVDF
XX	special
Code	Sealing Material (wetted sealings)
E	EPDM
V	FPM (Viton)
X	special
Code	Sensor Type
120	120 mm PG 13.5 gel-filled
XXX	special
Code	Process Connection
D50	Flange DN50 PN16
A20	Flange ANSI 2" 150 lbs
SUH	with Suspended Holder
XXX	special
Code	Immersion length
05	0.5 meter
10	1 meter
15	1.5 meter
20	2 meters
25	2.5 meters
XX	special
Code	Cleaning
NC	without
SC	with integrated spray cleaning
920	- - - - - < Type No.

Accessories and Spareparts

Ordering No.	Type No.	Description
285077570	MZ SSC 920 E	Sealing Set CHEMdip 920 EPDM
285077610	MZ SSC 920 V	Sealing Set CHEMdip 920 FPM (Viton)

Dip holders - *static*

CHEMdip 915 – DN80/ANSI 3" stainless steel

Immersion holder made of stainless steel with **flange** connection and integrated orbital sensor cleaning system for **nominal diameter DN80/3"**.

- Application:**
- ▲ For all kind of Ø12/120 mm sensors with thread PG 13.5 (e.g. pH- and REDOX, conductivity and temperature and turbidity sensors)
 - ▲ Chemical production
 - ▲ Water and wastewater treatment
 - ▲ Permanent installation in tanks, vessels or open channels

- Benefits:**
- ▲ Robust design
 - ▲ Integrated orbital sensor cleaning system
 - ▲ Extension of sensor-lifetime and reducing of maintenance costs
 - ▲ Easy installation and removal of the sensor holder
 - ▲ Suitable for liquid-filled sensors
 - ▲ Stainless steel AISI 316L / 1.4404
 - ▲ Immersion length 500 – 2500 mm
 - ▲ Minimum size DN80/3"
 - ▲ Up to 8 bar and 140°C
 - ▲ No external cleaning devices necessary



Schott® Instruments CHEMdip 915

pH-Immersion Assembly for DN80/3"	
Code	Material (wetted parts)
44	Stainless Steel 1.4404 / 316L
XX	special
↓	
Code	Sealing Material (wetted sealings)
E	EPDM
V	FPM (Viton)
X	special
↓	
Code	Sensor Type
120G	120 mm PG 13.5 gel-filled
120L	120 mm PG 13.5 liquid-filled
XXXX	special
↓	
Code	Process Connection
D80	Flange DN80 PN16
A30	Flange ANSI 3" 150 lbs
XXX	special
↓	
Code	Immersion length
05	0.5 meter
10	1 meter
15	1.5 meter
20	2 meters
25	2.5 meters
XXX	special
↓	
Code	Cleaning
NC	without
SC	with integrated spray cleaning
↓	
915	- - - - - < Type No.

Accessories and Spareparts

Ordering No.	Type No.	Description
285077590	MZ SSC 915/925 E	Sealing Set CHEMdip 915/925 EPDM
285077630	MZ SSC 915/925 V	Sealing Set CHEMdip 915/925 FPM (Viton)

Certificates

Ordering No.	Type No.	Description
285063630	MZ CERT 3XX 3.1B	Certificate EN10204-3.1B for material (wetted parts)

Dip holders - *static*

CHEMdip 925 – DN80/ANSI 3" plastics

Immersion holder made of plastics with **flange connection** or suspension and integrated orbital sensor cleaning system for **nominal diameter DN80 / 3"**.

- Application:**
- ▲ For all kind of Ø12/120 mm sensors with thread PG13.5 (e.g. pH- and REDOX, conductivity and temperature and turbidity sensors)
 - ▲ Chemical production
 - ▲ Water and wastewater treatment
 - ▲ Permanent installation in tanks, vessels or open channels

- Benefits:**
- ▲ Robust design
 - ▲ Integrated orbital sensor cleaning system
 - ▲ Extension of sensor-lifetime and reducing of maintenance costs
 - ▲ Easy installation and removal of the sensor holder
 - ▲ Suitable for liquid-filled sensors
 - ▲ PP or PVDF
 - ▲ Immersion length 500 – 2500 mm
 - ▲ Minimum size DN80/3"
 - ▲ Up to 6 bar and 140°C
 - ▲ No external cleaning devices necessary



Schott® Instruments CHEMdip 925

pH-Immersion Assembly for DN80/3"	
Code	Material (wetted parts)
PP	PP
PV	PVDF
XX	special
Code	Sealing Material (wetted sealings)
E	EPDM
V	FPM (Viton)
X	special
Code	Sensor Type
120G	120 mm PG 13.5 gel-filled
120L	120 mm PG 13.5 liquid-filled
XXXX	special
Code	Process Connection
D80	Flange DN80 PN16
A30	Flange ANSI 3" 150 lbs
SUH	with Suspended Holder
XXX	special
Code	Immersion length
05	0.5 meter
10	1 meter
15	1.5 meter
20	2 meters
25	2.5 meters
XX	special
Code	Cleaning
NC	without
SC	with integrated spray cleaning
925	- - - - - < Type No.

Accessories and Spareparts

Ordering No.	Type No.	Description
285077590	MZ SSC 915/925 E	Sealing Set CHEMdip 915/925 EPDM
285077630	MZ SSC 915/925 V	Sealing Set CHEMdip 915/925 FPM

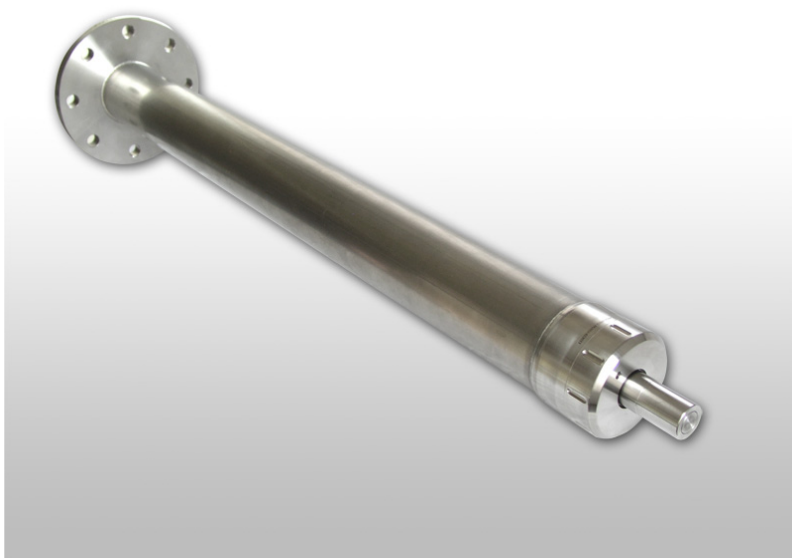
Dip holders - *retractable*

CHEMdip 918 – DN100/ANSI 4" stainless steel

Immersion holder made of stainless steel combined with a **retractable unit and cleaning chamber**, equipped with **flange connection for nominal diameter DN100 / 4"**.

- Application:**
- ▲ For all kind of Ø12/225 mm or Ø12/280 mm sensors with thread PG 13.5 (e.g. pH- and REDOX, conductivity and temperature and turbidity sensors)
 - ▲ Chemical production
 - ▲ Water and wastewater treatment
 - ▲ Permanent installation in tanks, vessels or open channels

- Benefits:**
- ▲ Integrated retractable unit for automated sensor cleaning
 - ▲ Extension of sensor-lifetime and reducing of maintenance costs
 - ▲ Easy installation and removal of the sensor holder
 - ▲ Suitable for liquid-filled sensors
 - ▲ Stainless steel AISI 316Ti / 316L (1.4571/1.4404)
 - ▲ Immersion length 1000 – 2500 mm
 - ▲ Minimum size DN100/4"
 - ▲ Up to 8 bar and 95°C
 - ▲ No external cleaning system necessary
 - ▲ Can be fully automated with pneumatic or electro-pneumatic control units (e.g. CHEMtrol 450 or CHEMtrol 460)



Schott® Instruments CHEMdip 918

pH-Immersion Assembly with Retraction Unit	
Code	Material (wetted parts)
71	Stainless Steel 1.4571/1.4404 (316Ti/316L)
XX	special
Code	Sealing Material (wetted sealings)
E	EPDM
V	FPM (Viton)
X	special
Code	Sensor Type
225	225 mm PG 13.5 gel-filled
280	280 mm PG 13.5 liquid-filled
XXX	special
Code	Process Connection
D10	Flange DN100 PN16
A40	Flange ANSI 4" 150 lbs
XXX	special
Code	Immersion length
10	1 meter
15	1.5 meter
20	2 meters
25	2.5 meters
XXX	special
Code	Position switch
PN	pneumatic
XX	special
918	- - - - - < Type No.

Accessories and Spareparts

Ordering No.	Type No.	Description
285077580	MZ SSC 918/928 E	Sealing Set CHEMdip 918/928 EPDM
285077620	MZ SSC 918/928 V	Sealing Set CHEMdip 918/928 FPM
285077520	MZ DUD 225/325 PN	Drive Unit DIP - sensor 225/325 pneum. Position switch
285077530	MZ DUD 280/380 PN	Drive Unit DIP - sensor 280/380 pneum. Position switch
285063480	MZ IRC 810 44	Insertion rod CHEMtrac 810 1.4404 / 316L

Certificates

Ordering No.	Type No.	Description
285063630	MZ CERT 3XX 3.1B	Certificate EN10204-3.1B for material (wetted parts)

Dip holders - *automatic*

CHEMdip 928 – DN100/ANSI 4" PVDF

Immersion holder made of PVDF combined with a retractable unit and cleaning chamber, equipped with flange connection or suspension for nominal diameter DN100 / 4".

- Application:**
- ▲ For all kind of Ø12/225 mm (gel-filled) or Ø12/280 mm (liquid-filled) sensors with thread PG 13.5 (e.g. pH- and REDOX, conductivity and temperature and turbidity sensors)
 - ▲ Chemical production
 - ▲ Water and wastewater treatment
 - ▲ Permanent installation in tanks, vessels or open channels with automatic sensor cleaning

- Benefits:**
- ▲ Integrated retractable unit for automatic sensor cleaning
 - ▲ Extension of sensor-lifetime and reducing of maintenance costs
 - ▲ Easy installation and removal of the sensor holder
 - ▲ Suitable for liquid-filled sensors
 - ▲ PVDF, protection cage made of Alloy C22
 - ▲ Immersion length 1000 – 2500 mm
 - ▲ Minimum size DN100 / 4"
 - ▲ Up to 6 bar and 95°C
 - ▲ Can be fully automated with pneumatic or electro-pneumatic control units (e.g. CHEMtrol 450 or CHEMtrol 460)



Schott® Instruments CHEMdip 928

pH-Immersion Assembly with Retraction Unit	
Code	Material (wetted parts)
PV	PVDF
XX	special
↓	
Code	Sealing Material (wetted sealings)
E	EPDM
V	FPM (Viton)
X	special
↓	
Code	Sensor Type
225	225 mm PG 13.5 gel-filled
280	280 mm PG 13.5 liquid-filled
XXX	special
↓	
Code	Process Connection
D10	Flange DN100 PN16
A40	Flange ANSI 4" 150 lbs
SUH	with Suspended Holder
XXX	special
↓	
Code	Immersion length
10	1 meter
15	1.5 meter
20	2 meters
25	2.5 meters
XX	special
↓	
Code	Position switch
PN	pneumatic
XX	special
↓	
928	- - - - - < Type No.

Accessories and Spareparts

Ordering No.	Type No.	Description
285063440	MZ IRC 820 PV	Insertion rod CHEMtrac 820 PVDF / Alloy C22
285077520	MZ DUD 225/325 PN	Drive Unit DIP - sensor 225/325 pneum. Position switch
285077530	MZ DUD 280/380 PN	Drive Unit DIP - sensor 280/380 pneum. Position switch
285077580	MZ SSC 918/928 E	Sealing Set CHEMdip 918/928 EPDM
285077620	MZ SSC 918/928 V	Sealing Set CHEMdip 918/928 FPM

Retractable holders - *automatic*

CHEMtrac 810

Retractable holder made of **stainless steel** for installation of Ø12 mm sensors on tanks or pipelines

- Application:**
- ▲ For all kind of Ø12/225 mm (gel-filled) or Ø12/280 mm (liquid-filled) sensors with thread PG 13.5 (e.g. pH- and REDOX, conductivity and temperature and turbidity sensors)
 - ▲ Chemical production
 - ▲ Water and wastewater treatment
 - ▲ Rough processes
 - ▲ Where an automated sensor cleaning and/or calibration is necessary

- Benefits:**
- ▲ Robust design, integrated scraper
 - ▲ Extension of sensor-lifetime and reducing of maintenance costs
 - ▲ Automatic safety lock while sensor is being removed
 - ▲ Plug-and-play installation through colour and size coded connection system
 - ▲ Integrated limit switches
 - ▲ Stainless steel AISI 316L / 1.4404 or Hastelloy
 - ▲ Immersion length up to 107 mm
 - ▲ Wide variety of process connections and sealing materials
 - ▲ Up to 16 bar and 140°C
 - ▲ Can be fully automated with pneumatic or electro-pneumatic control units (e.g. CHEMtrol 450 or CHEMtrol 460)
 - ▲ Maintenance free drive unit



SCHOTT® Instruments CHEMtrac 810

pH-Retractable Holder CHEMtrac 810	
Code	Material (wetted parts)
44	Stainless Steel 1.4404 / 316L
HC	Alloy C22 2.4602
XX	special
Code Sealing Material (wetted sealings)	
E	EPDM
V	FPM (Viton)
K	FFKM (Kalrez)
X	special
Code Sensor	
225	325 mm PG 13.5 gel-filled
280	280 mm PG 13.5 liquid-filled
XXX	special
Code	Process Connection
D32	Flange DN32 PN16
D40	Flange DN40 PN16
D50	Flange DN50 PN16
A14	Flange ANSI 1 1/4" 150 lbs
A12	Flange ANSI 1 1/2" 150 lbs
A20	Flange ANSI 2" 150 lbs
N14	NPT M 1 1/4"
T20	Tri Clamp 2"
XXX	special
Code	Cleaning Connection
G18	G 1/8" thread female
G14	G 1/4" thread female
N14	1/4" NPT female
XXX	special
Code	Position switch
PN	pneumatic
XX	special
810-	< Type No.

Accessories and Spareparts

Ordering No.	Type No.	Description
285063480	MZ IRC 810 44	Insertion rod CHEMtrac 810 1.4404 / 316L
285063500	MZ IRC 810 HC	Insertion rod CHEMtrac 810 2.4602 / Alloy C22
285063520	MZ DUC 8XX 225/335 PN	Drive Unit - sensor 225/325 pneum. position switch
285063530	MZ DUC 8XX 280/380 PN	Drive Unit - sensor 280/380 pneum. position switch
285063580	MZ BP G18 43	Set blind plug G1/8" 1.4301/316 for cleaning chamber
285063660	MZ SSC 810/820 E	Sealing Set CHEMtrac 810/820 EPDM
285063680	MZ SSC 810/820 V	Sealing Set CHEMtrac 810/820 FPM
285063700	MZ SSC 810/820 K	Sealing Set CHEMtrac 810/820 FFKM (Kalrez)

Retractable holders - *automatic*

CHEMtrac 811

Retractable holder made of **stainless steel** for installation of Ø12 mm sensors on tanks or pipelines with an **extended immersion length up to 207 mm**

- Application:**
- ▲ For all kind of Ø12/225 mm (gel-filled) or Ø12/280 mm (liquid-filled) sensors with thread PG 13.5 (e.g. pH- and REDOX, conductivity and temperature and turbidity sensors)
 - ▲ Chemical production
 - ▲ Water and wastewater treatment
 - ▲ Rough processes
 - ▲ Where an automated sensor cleaning and/or calibration is necessary

- Benefits:**
- ▲ Robust design, integrated scraper
 - ▲ Extension of sensor-lifetime and reducing of maintenance costs
 - ▲ Automatic safety lock while sensor is being removed
 - ▲ Plug-and-play installation through colour and size coded connection system
 - ▲ Integrated limit switches
 - ▲ Stainless steel AISI 316L / 1.4404 or Hastelloy
 - ▲ Immersion length up to 207 mm
 - ▲ Wide variety of process connections and sealing materials
 - ▲ Up to 16 bar and 140°C
 - ▲ Can be fully automated with pneumatic or electro-pneumatic control units (e.g. CHEMtrol 450 or CHEMtrol 460)
 - ▲ Maintenance free drive unit



SCHOTT® Instruments CHEMtrac 811

pH-Retractable Holder CHEMtrac 811	
Code	Material (wetted parts)
44	Stainless Steel 1.4404 / 316L
HC	Alloy C22 2.4602
XX	special
Code	Sealing Material (wetted sealings)
E	EPDM
V	FPM (Viton)
K	FFKM (Kalrez)
X	special
Code	Sensor
325	325 mm PG 13.5 gel-filled
380	380 mm PG 13.5 liquid-filled
XXX	special
Code	Process Connection
D40	Flange DN40
D50	Flange DN50
A12	Flange ANSI 1 1/2"
A20	Flange ANSI 2"
XXX	special
Code	Cleaning Connection
G18	G 1/8" thread female
G14	G 1/4" thread female
N14	1/4" NPT female
XXX	special
Code	Position switch
PN	pneumatic
XX	special
811-	< Type No.

Accessories and Spareparts

Ordering No.	Type No.	Description
285063520	MZ DUC 8XX 225/335 PN	Drive Unit - sensor 225/325 pneum. position switch
285063530	MZ DUC 8XX 280/380 PN	Drive Unit - sensor 280/380 pneum. position switch
285063490	MZ IRC 811 44	Insertion rod CHEMtrac 811 1.4404 / 316L
285063510	MZ IRC 811 HC	Insertion rod CHEMtrac 811 2.4602 / Alloy C22
285063580	MZ BP G18 43	Set blind plug G1/8" 1.4301/316 for cleaning chamber
285063670	MZ SSC 811/821 E	Sealing Set CHEMtrac 811/821 EPDM
285063690	MZ SSC 811/821 V	Sealing Set CHEMtrac 811/821 FPM
285063710	MZ SSC 811/821 K	Sealing Set CHEMtrac 811/821 FFKM (Kalrez)

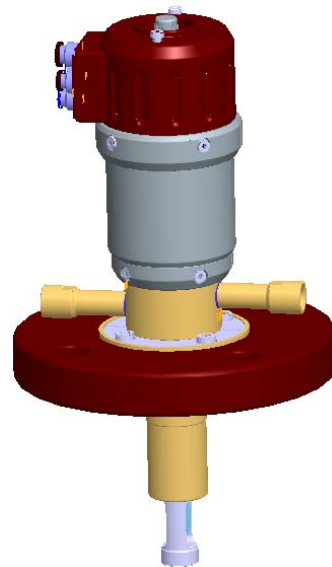
Retractable holders - *automatic*

CHEMtrac 820

Retractable holder made of **plastics** for installation of Ø12 mm sensors on tanks or pipelines.

- Application:**
- ▲ For all kind of Ø12/225 mm (gel-filled) or Ø12/280 mm (liquid-filled) sensors with thread PG 13.5 (e.g. pH- and REDOX, conductivity and temperature and turbidity sensors)
 - ▲ Chemical production
 - ▲ Water and wastewater treatment
 - ▲ Rough processes
 - ▲ Where an automated sensor cleaning and/or calibration is necessary

- Benefits:**
- ▲ Robust design, integrated scraper
 - ▲ Extension of sensor-lifetime and reducing of maintenance costs
 - ▲ Automatic safety lock while sensor is being removed
 - ▲ Plug-and-play installation through colour and size coded connection system
 - ▲ Integrated limit switches
 - ▲ Available in PP, PVDF or PEEK
 - ▲ Protection cage (made of hastelloy for PVDF and PEEK)
 - ▲ Immersion length up to 94 mm
 - ▲ Wide variety of process connections and sealing materials
 - ▲ Up to 10 bar and 140°C
 - ▲ Can be fully automated with pneumatic or electro-pneumatic control units (e.g. CHEMtrol 450 or CHEMtrol 460)
 - ▲ Maintenance free drive unit



SCHOTT® Instruments CHEMtrac 820

pH-Retractable Holder CHEMtrac 820	
Code	Material (wetted parts)
PP	PP
PV	PVDF
PK	PEEK
XX	special
Code	Sealing Material (wetted sealings)
E	EPDM
V	FPM (Viton)
K	FFKM (Kalrez)
X	special
Code	Sensor
225	225 mm PG 13.5 gel-filled
280	280 mm PG 13.5 liquid-filled
XXX	special
Code	Process Connection
D50	Flange DN50
A20	Flange ANSI 2"
N14	NPT M 1 1/4"
XXX	special
Code	Cleaning Connection
G18	G 1/8" thread female
G14	G 1/4" thread female
N14	1/4" NPT female
XXX	special
Code	Position switch
PN	pneumatic
XX	special
820-	- - - - -
	< Type No.

Accessories and Spareparts

Ordering No.	Type No.	Description
285063430	MZ IRC 820 PP	Insertion rod CHEMtrac 820 PP
285063440	MZ IRC 820 PV	Insertion rod CHEMtrac 820 PVDF
285063460	MZ IRC 820 PK	Insertion rod CHEMtrac 820 PEEK
285063520	MZ DUC 8XX 225/335 PN	Drive Unit - sensor 225/325 pneum. position switch
285063530	MZ DUC 8XX 280/380 PN	Drive Unit - sensor 280/380 pneum. position switch
285063570	MZ BP G18 PV	Set blind plug G1/8" PVDF for cleaning chamber
285063660	MZ SSC 810/820 E	Sealing Set CHEMtrac 810/820 EPDM
285063680	MZ SSC 810/820 V	Sealing Set CHEMtrac 810/820 FPM
285063700	MZ SSC 810/820 K	Sealing Set CHEMtrac 810/820 FFKM (Kalrez)

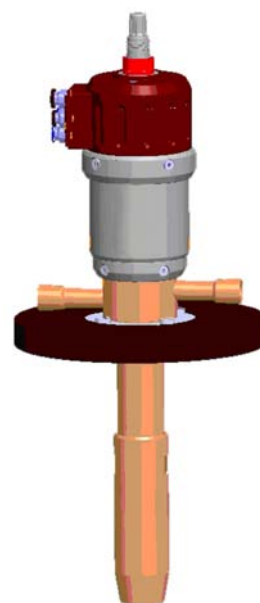
Retractable holders - *automatic*

CHEMtrac 821

Retractable holder made of **plastics** for installation of Ø12mm sensors on tanks or pipelines with an **extended immersion length up to 194 mm**.

- Application:**
- ▲ For all kind of Ø12/325 mm (gel-filled) or Ø12/380 mm (liquid-filled) sensors with thread PG 13.5 (e.g. pH- and REDOX, conductivity and temperature and turbidity sensors)
 - ▲ Chemical production
 - ▲ Water and wastewater treatment
 - ▲ Rough processes
 - ▲ Where an automated sensor cleaning and/or calibration is necessary

- Benefits:**
- ▲ Robust design, integrated scraper
 - ▲ Extension of sensor-lifetime and reducing of maintenance costs
 - ▲ Automatic safety lock while sensor is being removed
 - ▲ Plug-and-play installation through colour and size coded connection system
 - ▲ Integrated limit switches
 - ▲ Available in PVDF or PEEK
 - ▲ Protection cage made of hastelloy
 - ▲ Immersion length up to 194 mm
 - ▲ Wide variety of process connections and sealing materials
 - ▲ Up to 10 bar and 140°C
 - ▲ Can be fully automated with pneumatic or electro-pneumatic control units (e.g. CHEMtrol 450 or CHEMtrol 460)
 - ▲ Maintenance free drive unit



SCHOTT® Instruments CHEMtrac 821

pH-Retractable Holder CHEMtrac 821	
Code	Material (wetted parts)
PV	PVDF
PK	PEEK
XX	special
↓	
Code	Sealing Material (wetted sealings)
E	EPDM
V	FPM (Viton)
K	FFKM (Kalrez)
X	special
↓	
Code	Sensor
325	325 mm PG 13.5 gel-filled
380	380 mm PG 13.5 liquid-filled
XXX	special
↓	
Code	Process Connection
D50	Flange DN50
A20	Flange ANSI 2"
XXX	special
↓	
Code	Cleaning Connection
G18	G 1/8" thread female
G14	G 1/4" thread female
N14	1/4" NPT female
XXX	special
↓	
Code	Position switch
PN	pneumatic
XX	special
↓	
821-	< Type No.

Accessories and Spareparts

Ordering No.	Type No.	Description
285063450	MZ IRC 821 PV	Insertion rod CHEMtrac 821 PVDF
285063470	MZ IRC 821 PK	Insertion rod CHEMtrac 821 PEEK
285063520	MZ DUC 8XX 225/325 PN	Drive Unit - sensor 225/325 pneum. position switch
285063530	MZ DUC 8XX 280/380 PN	Drive Unit - sensor 280/380 pneum. position switch
285063570	MZ BP G18 PV	Set blind plug G1/8" PVDF for cleaning chamber
285063670	MZ SSC 811/821 E	Sealing Set CHEMtrac 811/821 EPDM
285063690	MZ SSC 811/821 V	Sealing Set CHEMtrac 811/821 FPM
285063710	MZ SSC 811/821 K	Sealing Set CHEMtrac 811/821 FFKM (Kalrez)

Retractable holders - *automatic*

CHEMtrac 830 – hygienic installation

Retractable holder made of stainless steel for **hygienic installation** of Ø12 mm sensors on **tanks or pipelines**.

- Application:**
- ▲ For all kind of Ø12/325 mm (gel-filled) or Ø12/380 mm (liquid-filled) sensors with thread PG 13.5 (e.g. pH- and REDOX, conductivity and temperature and turbidity sensors)
 - ▲ Chemical production
 - ▲ Water and wastewater treatment
 - ▲ Rough processes
 - ▲ Where an automated sensor cleaning and/or calibration is necessary

- Benefits:**
- ▲ Hygienic design, EHEDG/3A–approved process connections
 - ▲ Extension of sensor-lifetime and reducing of maintenance costs
 - ▲ Automatic safety lock while sensor is being removed
 - ▲ Plug-and-play installation through colour and size coded connection system
 - ▲ AISI 316L/1.4404 surface finish Ra<0.8 electropolished
 - ▲ Protection cage, hastelloy
 - ▲ Wide variety of process connections and sealing materials
 - ▲ Up to 10 bar and 140°C
 - ▲ Can be fully automated with pneumatic or electro-pneumatic control units (e.g. CHEMtrol 450 or CHEMtrol 460)
 - ▲ Maintenance free drive unit



SCHOTT® Instruments CHEMtrac 830

pH-Retractable Holder CHEMtrac 830 hygenic	
Code	Material (wetted parts)
44	Stainless Steel 1.4404 / 316L
XX	special
Code	Sealing Material (wetted sealings)
E	EPDM/FDA
V	FPM (Viton)
X	special
Code	Sensor
225	225 mm PG 13.5 gel-filled
280	280 mm PG 13.5 liquid-filled
XXX	325 mm PG 13.5 gel-filled
Code	Process Connection
I28	Ingold DN25 (G1 1/4") O-Ring-Position 28 mm
VAN	Varivent N DN40-125
T15	TriClamp 1.5" (OD Ø 50.5 mm)
T20	TriClamp 2" (OD Ø 64 mm)
BT5	NEUMO BioControl 50
M50	DIN 11851 DN50
XXX	special
Code	Cleaning Connection
G18	G 1/8" thread female
G14	G 1/4" thread female
N14	1/4" NPT female
XXX	special
Code	Position switch
PN	pneumatic
XX	special
830-	< Type No.

Accessories and Spareparts

Ordering No.	Type No.	Description
285063480	MZ IRC 810 44	Insertion rod CHEMtrac 830 1.4404 / 316L
285063520	MZ DUC 8XX 225/325	Drive Unit - sensor 225/325 pneum. position switch
285063530	MZ DUC 8XX 225/335	Drive Unit - sensor 280/380 pneum. position switch
285063580	MZ BP G18 43	Set blind plug G1/8" 1.4301/316 for cleaning chamber
285077640	MZ SSC 830 E I	Sealing Set CHEMtrac 830 EPDM/FDA (IN28 only)
285077650	MZ SSC 830 E BV	Sealing Set CHEMtrac 830 EPDM/FDA (BCT5 / VARN only)
285077660	MZ SSC 830 E	Sealing Set CHEMtrac 830 EPDM/FDA (all other types)
285077670	MZ SSC 830 V I	Sealing Set CHEMtrac 830 FPM (Ingold only)
285077680	MZ SSC 830 V BV	Sealing Set CHEMtrac 830 FPM (BCT5 / VARN only)
285077690	MZ SSC 830 V	Sealing Set CHEMtrac 830 FPM (all other types)

Retractable holders - *manual*

CHEMtrac 810 M – stainless steel

Manual retractable holder made of **stainless steel** for installation of Ø12 mm sensors on tanks or pipelines **with unique rotary drive**.

- Application:**
- ▲ For all kind of Ø12/225 mm (gel-filled) or Ø12/280 mm (liquid-filled) sensors with thread PG 13.5 (e.g. pH- and REDOX, conductivity and temperature and turbidity sensors)
 - ▲ Chemical production
 - ▲ Water and wastewater treatment
 - ▲ Rough processes
 - ▲ Where an automated sensor cleaning and/or calibration is necessary

- Benefits:**
- ▲ Robust design, integrated scraper
 - ▲ Extension of sensor-lifetime and reducing of maintenance costs
 - ▲ Stainless steel AISI 316L/1.4404 or hastelloy
 - ▲ Immersion length up to 107 mm
 - ▲ Protection cage, hastelloy
 - ▲ Wide variety of process connections and sealing materials
 - ▲ Safe locking system
 - ▲ Indication of measurement and service position
 - ▲ No change of position possible, if no sensor is connected
 - ▲ Manual handling even against 12 bar due to unique rotary drive
 - ▲ Pneumatic drive retrofit



SCHOTT® Instruments CHEMtrac 810 M

Manual Retractable Holder CHEMtrac 810 M	
Code	Material (wetted parts)
44	Stainless Steel 1.4404 / 316L
HC	Alloy C22 2.4602
XX	special
Code	Sealing Material (wetted sealings)
E	EPDM
V	FPM (Viton)
K	FFKM (Kalrez)
X	special
Code	Sensor
225	325 mm PG 13.5 gel-filled
280	280 mm PG 13.5 liquid-filled
XXX	special
Code	Process Connection
D32	Flange DN32 PN16
D40	Flange DN40 PN16
D50	Flange DN50 PN16
A14	Flange ANSI 1 1/4" 150 lbs
A12	Flange ANSI 1 1/2" 150 lbs
A20	Flange ANSI 2" 150 lbs
N14	NPT M 1 1/4"
T20	Tri Clamp 2"
XXX	special
Code	Cleaning Connection
G18	G 1/8" thread female
G14	G 1/4" thread female
N14	1/4" NPT female
XXX	special
Code	Position switch
00	without
XX	special
810M-	< Type No.

Accessories and Spareparts

Ordering No.	Type No.	Description
285063660	MZ SSC 810/820 E	Sealing Set CHEMtrac 810/820 EPDM
285063680	MZ SSC 810/820 V	Sealing Set CHEMtrac 810/820 FPM
285063700	MZ SSC 810/820 K	Sealing Set CHEMtrac 810/820 FFKM (Kalrez)
285077540	MZ DUC 8XXM 225/335	Manual Drive Unit - sensor 225/325
285077550	MZ DUC 8XXM 280/380	Manual Drive Unit - sensor 280/380
285063480	MZ IRC 810 44	Insertion rod CHEMtrac 810 1.4404 / 316L
285063500	MZ IRC 810 HC	Insertion rod CHEMtrac 810 2.4602 / Alloy C22
285063580	MZ BP G18 43	Set blind plug G1/8" 1.4301/316 for cleaning chamber

[1] The manual drive unit is only available with the appropriate insertion rod !

Retractable holders - *manual*

CHEMtrac 811 M – stainless steel, extended immersion

Manual retractable holder made of stainless steel for installation of Ø12 mm sensors **on tanks or pipelines** with an extended immersion length up to 207 mm with **unique rotary drive**.

- Application:**
- ▲ For all kind of Ø12/325 mm (gel-filled) or Ø12/380 mm (liquid-filled) sensors with thread PG13.5 (e.g. pH- and REDOX, conductivity and temperature and turbidity sensors)
 - ▲ Chemical production
 - ▲ Water and wastewater treatment
 - ▲ Rough processes
 - ▲ Where an automated sensor cleaning and/or calibration is necessary

- Benefits:**
- ▲ Robust design, integrated scraper
 - ▲ Extension of sensor-lifetime and reducing of maintenance costs
 - ▲ Stainless steel AISI 316L/1.4404 or hastelloy
 - ▲ Immersion length up to 207 mm
 - ▲ Wide variety of process connections and sealing materials
 - ▲ Maintenance free drive unit
 - ▲ Safe locking system
 - ▲ Indication of measurement and service position
 - ▲ No change of position possible, if no sensor is connected
 - ▲ Manual handling even against 12 bar due to unique rotary drive
 - ▲ Pneumatic drive retrofit



SCHOTT® Instruments CHEMtrac 811 M

Manual Retractable Holder CHEMtrac 811 M	
Code	Material (wetted parts)
44	Stainless Steel 1.4404 / 316L
HC	Alloy C22 2.4602
XX	special
↓	
Code	Sealing Material (wetted sealings)
E	EPDM
V	FPM (Viton)
K	FFKM (Kalrez)
X	special
↓	
Code	Sensor
325	325 mm PG 13.5 gel-filled
380	380 mm PG 13.5 liquid-filled
XXX	special
↓	
Code	Process Connection
D40	Flange DN40
D50	Flange DN50
A12	Flange ANSI 1 1/2"
A20	Flange ANSI 2"
XXX	special
↓	
Code	Cleaning Connection
G18	G 1/8" thread female
G14	G 1/4" thread female
N14	1/4" NPT female
XXX	special
↓	
Code	Position switch
00	without
XX	special
↓	
811M-	< Type No.

Accessories and Spareparts

Ordering No.	Type No.	Description
285063670	MZ SSC 811/821 E	Sealing Set CHEMtrac 811/821 EPDM
285063690	MZ SSC 811/821 V	Sealing Set CHEMtrac 811/821 FPM
285063710	MZ SSC 811/821 K	Sealing Set CHEMtrac 811/821 FFKM (Kalrez)
285077540	MZ DUC 8XXM 225/335	Manual Drive Unit - sensor 225/325
285077550	MZ DUC 8XXM 280/380	Manual Drive Unit - sensor 280/380
285063490	MZ IRC 811 44	Insertion rod CHEMtrac 811 1.4404 / 316L
285063510	MZ IRC 811 HC	Insertion rod CHEMtrac 811 2.4602 / Alloy C22
285063580	MZ BP G18 43	Set blind plug G1/8" 1.4301/316 for cleaning chamber

[1] The manual drive unit is only available with the appropriate insertion rod !

Retractable holders - *manual*

CHEMtrac 820 M – plastics

Manual retractable holder made **of plastics** for installation of Ø12 mm sensors on tanks or pipelines with **unique rotary drive**.

- Application:**
- ▲ For all kind of Ø12/225 mm (gel-filled) or Ø12/280 mm (liquid-filled) sensors with thread PG13.5 (e.g. pH- and REDOX, conductivity and temperature and turbidity sensors)
 - ▲ Chemical production
 - ▲ Water treatment
 - ▲ Rough processes
 - ▲ Where an automated sensor cleaning and/or calibration is necessary

- Benefits:**
- ▲ Robust design, integrated scraper
 - ▲ Extension of sensor-lifetime and reducing of maintenance costs
 - ▲ Available in PP, PVDF and PEEK
 - ▲ Immersion length up to 94 mm
 - ▲ Wide variety of process connections and sealing materials
 - ▲ Maintenance free drive unit
 - ▲ Safe locking system
 - ▲ Indication of measurement and service position
 - ▲ No change of position possible, if no sensor is connected
 - ▲ Manual handling even against 12 bar due to unique rotary drive
 - ▲ Pneumatic drive retrofit



SCHOTT® Instruments CHEMtrac 820 M

Manual Retractable Holder CHEMtrac 820 M	
Code	Material (wetted parts)
PP	PP
PV	PVDF
PK	PEEK
XX	special
Code	Sealing Material (wetted sealings)
E	EPDM
V	FPM (Viton)
K	FFKM (Kalrez)
X	special
Code	Sensor
225	225 mm PG 13.5 gel-filled
280	280 mm PG 13.5 liquid-filled
XXX	special
Code	Process Connection
D50	Flange DN50
A20	Flange ANSI 2"
N14	NPT M 1 1/4"
XXX	special
Code	Cleaning Connection
G18	G 1/8" thread female
G14	G 1/4" thread female
N14	1/4" NPT female
XXX	special
Code	Position switch
00	without
XX	special
820M-	- - - - - < Type No.

Accessories and Spareparts

Ordering No.	Type No.	Description
285063430	MZ IRC 820 PP	Insertion rod CHEMtrac 820 PP
285063440	MZ IRC 820 PV	Insertion rod CHEMtrac 820 PVDF/Alloy C22
285063460	MZ IRC 820 PK	Insertion rod CHEMtrac 820 PEEK
285077540	MZ DUC 8XXM 225/335	Manual Drive Unit - sensor 225/325
285077550	MZ DUC 8XXM 280/380	Manual Drive Unit - sensor 280/380
285063570	MZ BP G18 PV	Set blind plug G1/8" PVDF for cleaning chamber
285063660	MZ SSC 810/820 E	Sealing Set CHEMtrac 810/820 EPDM
285063680	MZ SSC 810/820 V	Sealing Set CHEMtrac 810/820 FPM
285063700	MZ SSC 810/820 K	Sealing Set CHEMtrac 810/820 FFKM (Kalrez)

[1] The manual drive unit is only available with the appropriate insertion rod !

Retractable holders - *manual*

CHEMtrac 821 M – plastics, extended immersion

Manual retractable holder made **of plastics** for installation of Ø12 mm sensors on tanks or pipelines with an extended **immersion length up to 194 mm** with **unique rotary drive**.

- Application:**
- ▲ For all kind of Ø12/325 mm (gel-filled) or Ø12/380 mm (liquid-filled) sensors with thread PG13.5 (e.g. pH- and REDOX, conductivity and temperature and turbidity sensors)
 - ▲ Chemical production
 - ▲ Water treatment
 - ▲ Rough processes
 - ▲ Where an automated sensor cleaning and/or calibration is necessary

- Benefits:**
- ▲ Robust design, integrated scraper
 - ▲ Extension of sensor-lifetime and reducing of maintenance costs
 - ▲ PVDF and PEEK
 - ▲ Protection cage, hastelloy
 - ▲ Immersion length up to 194 mm
 - ▲ Wide variety of process connections and sealing materials
 - ▲ Maintenance free drive unit
 - ▲ Safe locking system
 - ▲ Indication of measurement and service position
 - ▲ No change of position possible, if no sensor is connected
 - ▲ Manual handling even against 12 bar due to unique rotary drive
 - ▲ Pneumatic drive retrofit



SCHOTT® Instruments CHEMtrac 821M

Manual Retractable Holder CHEMtrac 821 M	
Code	Material (wetted parts)
PV	PVDF
PK	PEEK
XX	special
Code	Sealing Material (wetted sealings)
E	EPDM
V	FPM (Viton)
K	FFKM (Kalrez)
X	special
Code	Sensor
325	325 mm PG 13.5 gel-filled
380	380 mm PG 13.5 liquid-filled
XXX	special
Code	Process Connection
D50	Flange DN50
A20	Flange ANSI 2"
XXX	special
Code	Cleaning Connection
G18	G 1/8" thread female
G14	G 1/4" thread female
N14	1/4" NPT female
XXX	special
Code	Position switch
00	without
XX	special
821M-	< Type No.

Accessories and Spareparts

Ordering No.	Type No.	Description
285063450	MZ IRC 821 PV	Insertion rod CHEMtrac 821 PVDF/Alloy C22
285063470	MZ IRC 821 PK	Insertion rod CHEMtrac 821 PEEK
285077540	MZ DUC 8XXM 225/335	Manual Drive Unit - sensor 225/325
285077550	MZ DUC 8XXM 280/380	Manual Drive Unit - sensor 280/380
285063570	MZ BP G18 PV	Set blind plug G1/8" PVDF for cleaning chamber
285063670	MZ SSC 811/821 E	Sealing Set CHEMtrac 811/821 EPDM
285063690	MZ SSC 811/821 V	Sealing Set CHEMtrac 811/821 FPM
285063710	MZ SSC 811/821 K	Sealing Set CHEMtrac 811/821 FFKM (Kalrez)

[1] The manual drive unit is only available with the appropriate insertion rod !

Retractable holders - *manual*

CHEMtrac 830 M – hygienic installation

Manual retractable holder made of stainless steel for **hygienic installation** of Ø12 mm sensors on tanks or pipelines with **unique rotary drive**.

- Application:**
- ▲ For all kind of Ø12/225 mm (gel-filled) or Ø12/280 mm (liquid-filled) sensors with thread PG13.5 (e.g. pH- and REDOX, conductivity and temperature and turbidity sensors)
 - ▲ Foodproduction
 - ▲ Pharmaceutical production
 - ▲ Where a sensor removal under process terms is necessary

- Benefits:**
- ▲ Hygienic design, EHEDG/3A approved process connections
 - ▲ Extension of sensor-lifetime and reducing of maintenance costs
 - ▲ AISI 316L/1.4404 surface finish Ra<0.8 electropolished
 - ▲ Wide variety of process connections and sealing materials
 - ▲ Maintenance free drive unit
 - ▲ Safe locking system
 - ▲ Indication of measurement and service position
 - ▲ No change of position possible, if no sensor is connected
 - ▲ Manual handling even against 12 bar due to unique rotary drive
 - ▲ Pneumatic drive retrofit



SCHOTT® Instruments CHEMtrac 830 M

Manual Retractable Holder CHEMtrac 830 hygenic	
Code	Material (wetted parts)
44	Stainless Steel 1.4404 / 316L
XX	special
Code	Sealing Material (wetted sealings)
E	EPDM/FDA
V	FPM (Viton)
X	special
Code	Sensor
225	225 mm PG 13.5 gel-filled
280	280 mm PG 13.5 liquid-filled
XXX	325 mm PG 13.5 gel-filled
Code	Process Connection
I28	Ingold DN25 (G1 1/4") O-Ring-Position 28 mm
VAN	Varivent N DN40-125
T15	TriClamp 1.5" (OD Ø 50.5 mm)
T20	TriClamp 2" (OD Ø 64 mm)
BT5	NEUMO BioControl 50
M50	DIN 11851 DN50
XXX	special
Code	Cleaning Connection
G18	G 1/8" thread female
G14	G 1/4" thread female
N14	1/4" NPT female
XXX	special
Code	Position switch
00	without
XX	special
830M-	< Type No.

Accessories and Spareparts

Ordering No.	Type No.	Description
285063480	MZ IRC 810 44	Insertion rod CHEMtrac 830 1.4404 / 316L
285077540	MZ DUC 8XXM 225/335	Manual Drive Unit - sensor 225/325
285077550	MZ DUC 8XXM 280/380	Manual Drive Unit - sensor 280/380
285063580	MZ BP G18 43	Set Blind Plug G1/81.4301/316 for clean chamber
285077640	MZ SSC 830 E I	Sealing Set CHEMtrac 830 EPDM/FDA (IN28 only)
285077650	MZ SSC 830 E BV	Sealing Set CHEMtrac 830 EPDM/FDA (BCT5 / VARN only)
285077660	MZ SSC 830 E	Sealing Set CHEMtrac 830 EPDM/FDA (all other types)
285077670	MZ SSC 830 V I	Sealing Set CHEMtrac 830 FPM (In gold only)
285077680	MZ SSC 830 V BV	Sealing Set CHEMtrac 830 FPM (BCT5 / VARN only)
285077690	MZ SSC 830 V	Sealing Set CHEMtrac 830 FPM (all other types)

[1] The manual drive unit is only available with the appropriate insertion rod !

Manual control units

CHEMtrol 450

Manual control unit with cleaning function and integrated connecting hose for retractable holders.

Application: ▲ Everywhere a pneumatic retractable holder shall be controlled manually

Benefits:

- ▲ Robust design
- ▲ Integrated connecting hose for plug-and-play operation
- ▲ Up to 2 different cleaning solutions can be controlled
- ▲ Detection of holder position
- ▲ Driven by air at 6 bar
- ▲ No electrical installation necessary



Schott® Instruments CHEMtrol 450

Pneumatic Control Unit for Retractable	
Code	Housing
GF	Plastic housing
SS	Stainless steel housing
XX	special
Code	Cleaning
1	for one cleaning solution
2	for two cleaning solutions
X	special
Code	Drain port
0	without
1	with port for drain valve
Code	Connecting hose
00	without
03	3 m length
05	5 m length
10	10 m length
XX	special
Code	Fastener
00	without
CT	Fastening angle CHEMtrac
XX	special
450-	- - - - - < Type No.

Accessories and Spareparts

Ordering No.	Type No.	Description
285063540	MZ WMS PL	Wall Mounting Set (for plastic housing)
285063550	MZ WMS SS	Wall Mounting Set (for stainless steel housing)
285063560	MZ PMS PL/SS	Post Mounting Set (for plastic and stainless steel)
285063590	MZ MV PV G3/8	Membrane-valve PVDF/FPM (single) G3/8"; Air Ø 6; DN12 PN6 NC for Cleaning solution or drain
285063600	MZ CVS 2 PV	Cleaning valve set PVDF/FPM with 2 membrane-valves for one cleaning solution and one drain; connectors, PTFE-tubing and mounting brackets included
285063610	MZ CVS 3 PV	Cleaning valve set PVDF/FPM with 3 membrane-valves for two cleaning solutions and one drain; connectors, PTFE-tubing and mounting brackets included

Automatic control units

CHEMtrol 460

Electro pneumatical control unit with individual programmable cleaning functions and integrated connecting hose for retractable holders

Application: ▲ **Everywhere a pneumatic retractable holder shall be controlled manually**

Benefits:

- ▲ **Robust design**
- ▲ **Integrated connecting hose for plug-and-play operation**
- ▲ **Up to 2 different cleaning solutions can be controlled**
- ▲ **Detection of holder position**
- ▲ **Driven by air at 6 bar**
- ▲ **No electrical installation necessary**



Schott® Instruments CHEMtrol 460

Automatic Control Unit for Retractable	
Code	Housing
GF	Plastic housing
SS	Stainless steel housing
XX	special
Code	Cleaning
1	for one cleaning solution
2	for two cleaning solutions
X	special
Code	Drain port
0	without
1	with port for drain valve
Code	Connecting hose
00	without
03	3 m length
05	5 m length
10	10 m length
XX	special
Code	Fastener
00	without
CT	Fastening angle CHEMtrac
XX	special
460-	- - - - - < Type No.

Accessories and Spareparts

Ordering No.	Type No.	Description
285063540	MZ WMS PL	Wall Mounting Set (for plastic housing)
285063550	MZ WMS SS	Wall Mounting Set (for stainless steel housing)
285063560	MZ PMS PP/SS	Post Mounting Set (for plastic and stainless steel)
285063590	MZ MV PV G3/8	Membrane-valve PVDF/FPM (single) G3/8"; Air Ø 6; DN12 PN6 NC for Cleaning solution or drain
285063600	MZ CVS 2 PV	Cleaning valve set PVDF/FPM with 2 membrane-valves for one cleaning solution and one drain; connectors, PTFE-tubing and mounting brackets included
285063610	MZ CVS 3 PV	Cleaning valve set PVDF/FPM with 3 membrane-valves for two cleaning solutions and one drain; connectors, PTFE-tubing and mounting brackets included
285063810	MZ CUC 460	Control Unit CHEMtrol460
285063780	MZ SV 5/2 G1/4	Solenoid valve 5/2-way G1/4" 24VDC 3,8W (without plug and cable)
285063790	MZ SV 3/2 G1/4	Solenoid valve 3/2-way G1/4" 24VDC 3,8W (without plug and cable)
285063740	MZ SV Plug	Plug for solenoid valve including cable
285063800	MZ PS	Pressure switch

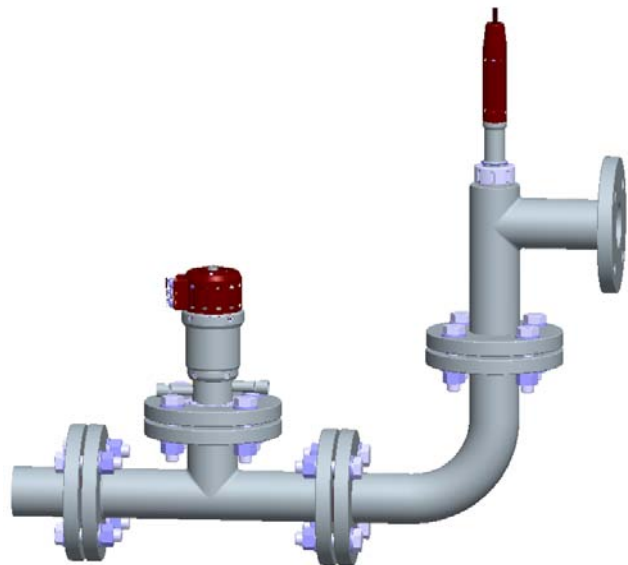
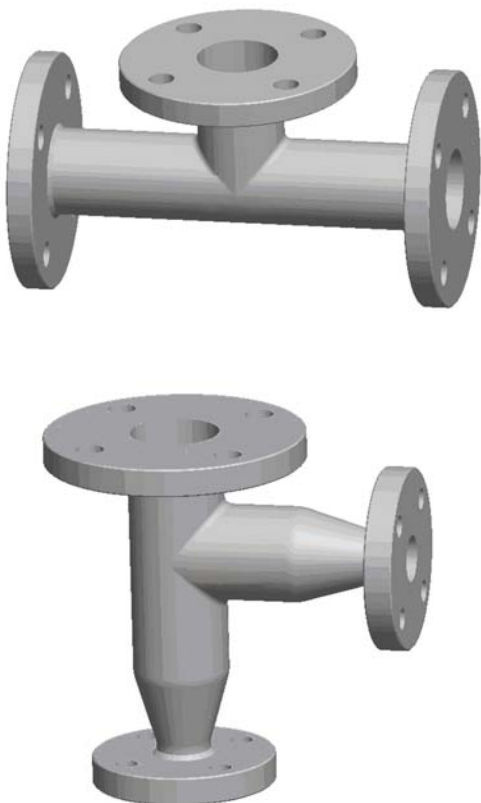
Flow vessels

CHEMflow 710

The flow vessel CHEMflow 710 is made of **stainless steel** and is a suitable accessory for the pneumatical **retractable holder** CHEMtrac 810 or the **static sensor holder** CHEMfit 310. These combinations ensure the optimal position of a measuring sensor directly in the flow stream.

- Application:**
- ▲ Inline measurement
 - ▲ Bypass measuring points
 - ▲ Chemical production
 - ▲ Water treatment

- Benefits:**
- ▲ Flexible design
 - ▲ DN25/1" or DN50/2"
 - ▲ 90° or 180° flow direction
 - ▲ Best sensor position
 - ▲ Stainless steel AISI 316Ti/1.4571 or ETFE-lined
 - ▲ Wide variety of process connections
 - ▲ Up to 16 bar and 140°C



SCHOTT® Instruments CHEMflow 710

Flow Through Vessel CHEMflow 710																	
Code	Material																
71	Stainless Steel 1.4571 / 316Ti																
ET	Stainless Steel 1.4571 / 316Ti ETFE lined																
XX	special																
	<table border="1"> <thead> <tr> <th>Code</th> <th>Process Connection</th> </tr> </thead> <tbody> <tr> <td>D25</td> <td>Flange DIN 25</td> </tr> <tr> <td>D50</td> <td>Flange DIN 50</td> </tr> <tr> <td>A10</td> <td>Flange ANSI 1"</td> </tr> <tr> <td>A20</td> <td>Flange ANSI 2"</td> </tr> <tr> <td>W25</td> <td>Welding pipe DN 25/1" (not option "ET")</td> </tr> <tr> <td>W50</td> <td>Welding pipe DN 50/2" (not option "ET")</td> </tr> <tr> <td>XXX</td> <td>special</td> </tr> </tbody> </table>	Code	Process Connection	D25	Flange DIN 25	D50	Flange DIN 50	A10	Flange ANSI 1"	A20	Flange ANSI 2"	W25	Welding pipe DN 25/1" (not option "ET")	W50	Welding pipe DN 50/2" (not option "ET")	XXX	special
Code	Process Connection																
D25	Flange DIN 25																
D50	Flange DIN 50																
A10	Flange ANSI 1"																
A20	Flange ANSI 2"																
W25	Welding pipe DN 25/1" (not option "ET")																
W50	Welding pipe DN 50/2" (not option "ET")																
XXX	special																
	<table border="1"> <thead> <tr> <th>Code</th> <th>Holder Connection</th> </tr> </thead> <tbody> <tr> <td>D50</td> <td>Flange DN 50</td> </tr> <tr> <td>A20</td> <td>Flange ANSI 2"</td> </tr> <tr> <td>I25</td> <td>G 1 1/4" socket (not option "ET")</td> </tr> <tr> <td>XXX</td> <td>special</td> </tr> </tbody> </table>	Code	Holder Connection	D50	Flange DN 50	A20	Flange ANSI 2"	I25	G 1 1/4" socket (not option "ET")	XXX	special						
Code	Holder Connection																
D50	Flange DN 50																
A20	Flange ANSI 2"																
I25	G 1 1/4" socket (not option "ET")																
XXX	special																
	<table border="1"> <thead> <tr> <th>Code</th> <th>Flow Direction</th> </tr> </thead> <tbody> <tr> <td>18</td> <td>180°</td> </tr> <tr> <td>09</td> <td>90°</td> </tr> </tbody> </table>	Code	Flow Direction	18	180°	09	90°										
Code	Flow Direction																
18	180°																
09	90°																
710-	- - - < Type No.																

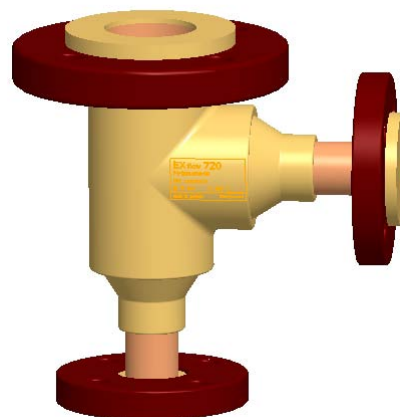
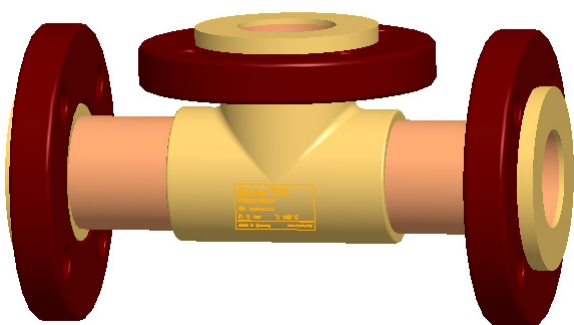
Flow vessels

CHEMflow 720

The flow vessel CHEMflow 720 is **made of plastic** and is a suitable accessory **for the pneumatical retractable holder CHEMtrac 820**. This combination ensures the optimal position of a measuring sensor directly in the flow stream.

- Application:**
- ▲ Inline measurement
 - ▲ Bypass measuring points
 - ▲ Chemical production
 - ▲ Water treatment

- Benefits:**
- ▲ Flexible design
 - ▲ DN25/1" or DN50/2"
 - ▲ 90° or 180° flow direction
 - ▲ Best sensor position
 - ▲ PVDF
 - ▲ Wide variety of process connections
 - ▲ Up to 6 bar and 120°C



SCHOTT® Instruments CHEMflow 720

Flow Through Vessel CHEMflow 720	
Code	Material
PV	PVDF
XX	special
↓	
Code	Process Connection
D25	Flange DIN 25
D50	Flange DIN 50
A10	Flange ANSI 1"
A20	Flange ANSI 2"
W25	Welding pipe DN 25/1"
W50	Welding pipe DN 50/2"
XXX	special
↓	
Code	Holder Connection
D50	Flange DN 50
A20	Flange ANSI 2"
XXX	special
↓	
Code	Flow Direction
18	180°
09	90°
↓	
720-	- - - < Type No.

Process holders for challenging applications



SI Analytics

SI Analytics GmbH
Hattenbergstraße 10
55122 Mainz
Germany
Phone +49 (0)6131/66-5111
Fax +49 (0)6131/66-5001
support@si-analytics.com
www.si-analytics.com

A Nova Analytics company 